

Showroom Address: 155 Frobisher Dr
Suite 1-106, Waterloo, ON N2V 2E1

Warehouse Address: 9 Humber St,
Stratford, ON N5A 6S4



📞 1 (888) 75SKARB

🌐 skarbinc.com

✉ info@skarbinc.com



LET YOUR DESIGNS

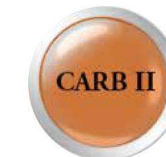
DEFINE YOUR VISION



Table of Contents

- P4 Company Certifications
- P5 Door Style
- P7 Product Warranty
- P8 Cabinet Material
- P11 Product Code Explanation
- P12 Product Specifications

Company certifications



EPA
TSCA Title VI
Compliant



NKBA NATIONAL
KITCHEN+BATH
ASSOCIATION

Door Style

Modern



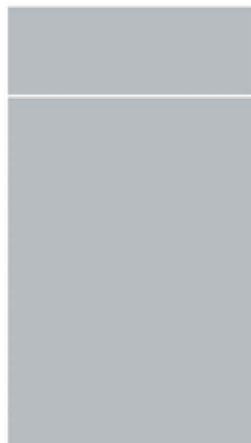
MGF-BW
Bianco Wood



MGF-EW
Ebony Wood



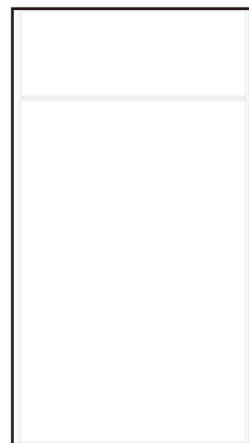
MGF-SO
Salt Oak



MPF-AG
Abalone Grey



MPF-CB
Charcoal Black



MPF-SW
Sponge White

Door Style

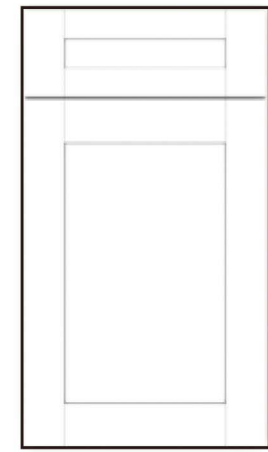
Urban



MGS-SO
Salt Oak



MPS-IG
Iron Grey

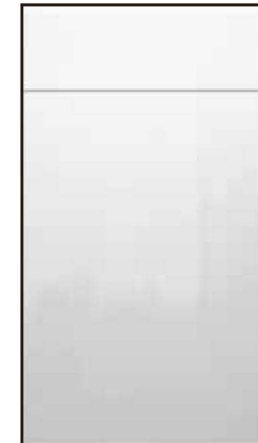


MPS-SW
Sponge White

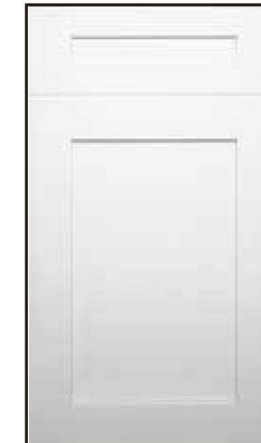
Elite



PEF-OG
Onyx grey



PEF-PW
Pearl White



PHS-CW
Cotton White



PHS-HG
Harbor Grey

Limited Warranty Policy

5 Year Residential 1 Year Commercial

SKARB Cabinetry warrants that its cabinets and parts should be free from faulty workmanship and defective materials for a period of 5 years following the acquisition date for residential customers and a period of 1 year following the acquisition date for commercial customers. The warranty period commences on the purchase date.

This limited warranty applies to domestic use only and covers defects in workmanship and materials. SKARB will not pay for the expenses incurred in labor and shipping. All warranty actions are through the original dealer where purchased. If that dealer is no longer in business with SKARB, another dealer will be assigned.

In the event of an issue, SKARB will examine the product and at its sole discretion will determine if the warranty applies. If the product is no longer available, SKARB will substitute a similar product. Color match is not guaranteed as all cabinets' color will change slightly over time.

Please observe all assembly, installation, and maintenance instructions. This warranty does not cover normal wear and tear, water damage, accident, installation, outdoor use, or damage from misuse or abuse. The original proof of purchase receipt is required. Please contact the original dealer or our website www.skarbinc.com for more information.

Cabinet Materials

Side Panel, Shelving, and Bottom Panel

3/4" (18mm) particle board with creamy white color melamine laminate on both sides

Drawer Panel

3/4" particle board with creamy white color melamine laminate as bottom panel.

Drawer Hardware

Particle board: 1/4" (5mm) thick particle-board back panel of matching color. And 3/4" (18mm) particle-board rails on top-rear and bottom-rear.

Back Panel

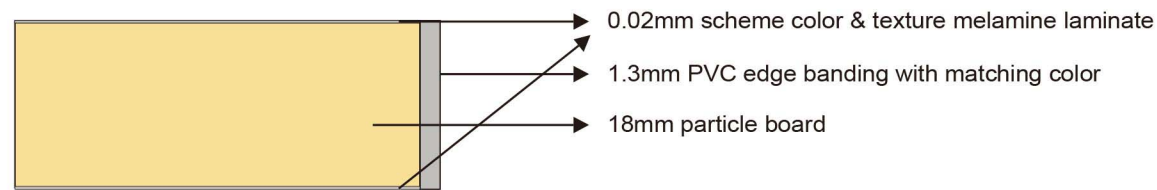
Full-extension soft-close drawer glides of 500mm glide length.

Hinge Hardware

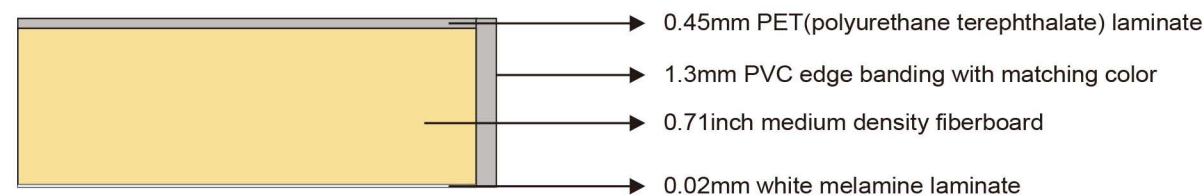
Six-way adjustable 95° degree opening soft close hinges, offering easy installation.

Adjustable Leg

Adjustable leg height ranges from 4 1/2" to 5 1/2". Suitable for the matching door panel toe-kick.



Product Specification — Modern & Urban Collection	
Core material	EPA title VI compliant particle board (41 - 44 pounds/cu.ft.)
Coating finish	0.02mm melamine laminate
Back finish	
Edge banding	1.3mm PVC edge banding with matching color & texture
Features	Environment friendly material Significant cost advantage. Vivid wood texture & color. Never fading, no color difference between any doors.



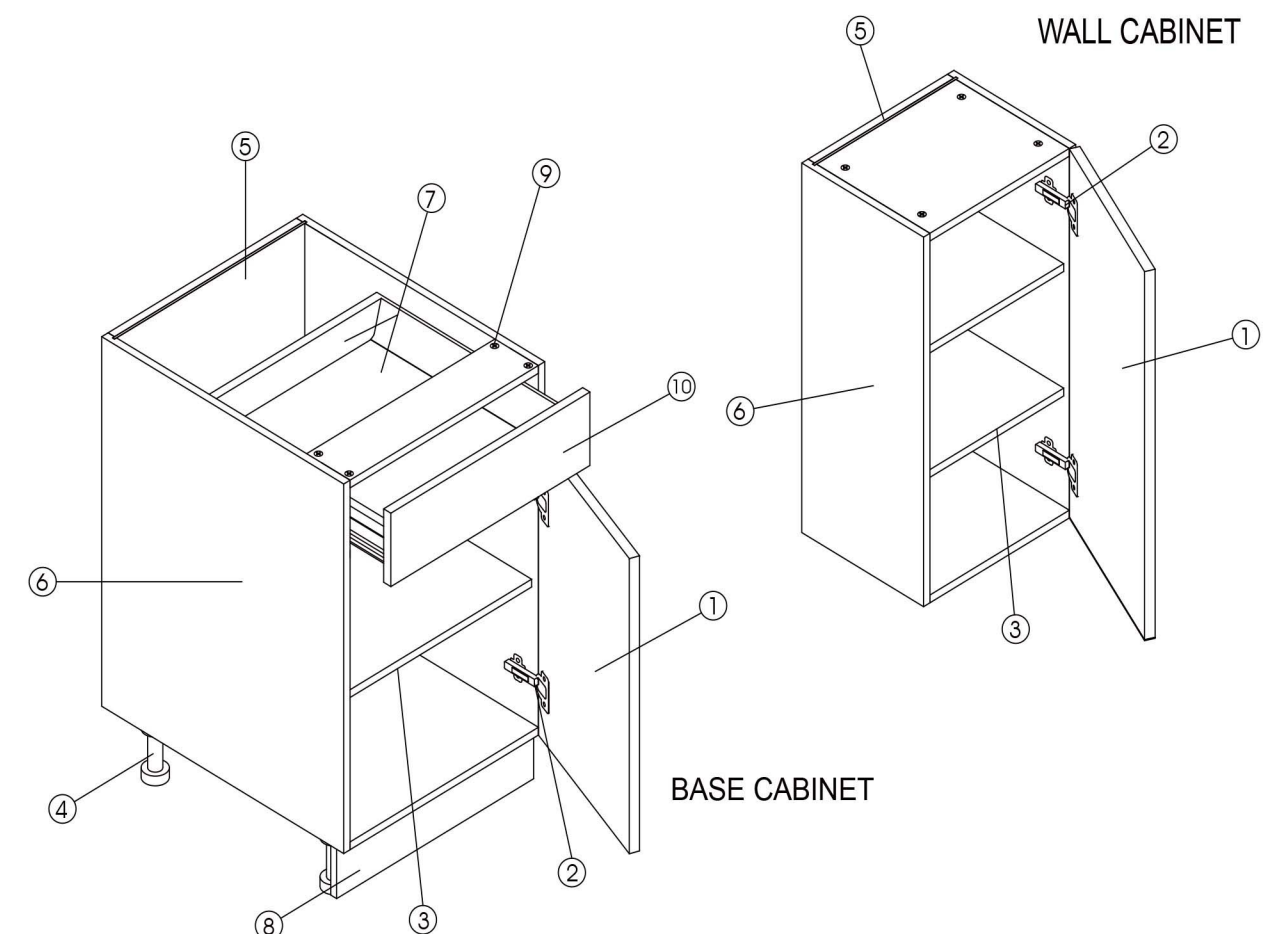
Product Specification — Elite Collection (PEF Doors)	
Core material	EPA title VI compliant medium density fiberboard
Coating finish	0.45mm PET(polyurethane terephthalate) laminate
Back finish	0.02mm white melamine laminate
Edge banding	1.3mm PVC edge banding with matching color
Features	Moisture resistance, acid and alkali tolerance. High glossy & vivid color finish. Easy to clean Antibacterial, safe for direct food contact. Never fading, no color difference between any doors.

Cabinet Construction

SKARB manufactures cabinets that are thoughtfully engineered to exceed the industry's most stringent standards. Our cabinets are built for durability and designed to be functional and beautiful, ensuring that your space not only looks great but lasts for years to come.

Cabinet Structure

- ① Door Panel
- ② Six-way adjustable soft-close hinge
- ③ 3/4"(18mm) melamine laminated particle-board shelf
- ④ Adjustable Legs under the base cabinet
- ⑤ Back panel enforced with 3/4"(18mm) particle board frame and 3/4" MDF core or 1/4" (5mm) thick particle-board back panel and 3/4" (18mm) particle-board rails on top-rear and bottom-rear
- ⑥ 3/4"(18mm) particle-board side panels
- ⑦ 5/8"(16mm) melamine laminated particle-board bottom panel & back panel of the drawer
- ⑧ Toe-kick of matching door material
- ⑨ Easy-to-Install euro cam-lock system with dowels for extra strength
- ⑩ Full-access soft-close adjustable euro drawer system



All SKARB cabinets are ready-to-assemble (RTA) And ready-to-build (RTB) with increments of 3" ranging from 9" to 42" in width, depending on the type of the cabinets. Height and depth usually come in standard sizes. Other non-standard dimensions are fully listed on the product specification table.

Kitchen Base Cabinets

B15
=
[B, 15", 34 1/2", 24"]
=
[Base, Width, Height, Depth]

Kitchen Wall Cabinets

W2436
=
[W, 24", 36", 12"]
=
[Wall, Width, Height, Depth]

Pantry Tall Cabinets

PC1890
=
[PC, 18", 90", 24"]
=
[Pantry Cabinets, Width, Height, Depth]

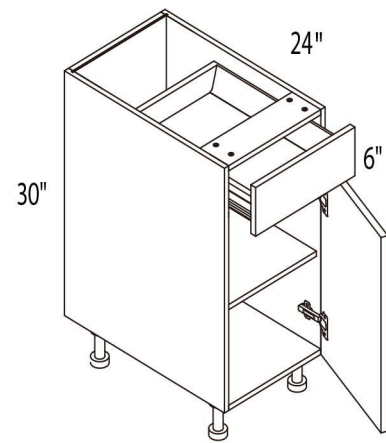
Vanity Base Cabinets

VB30
=
[VB, 30", 34 1/2", 21"]
=
[Vanity Base, Width, Height, Depth]



Base Cabinets

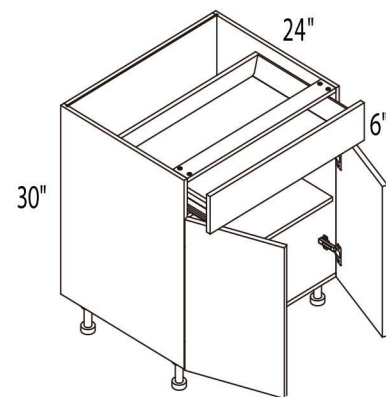
Single Door Standard Base



Item Code	Dimensions			Weight
	W	H	D	
B12	12"	34-3/4"	24"	44LB
B15	15"	34-3/4"	24"	48LB
B18	18"	34-3/4"	24"	53LB
BTC18	18"	34-3/4"	24"	53LB
B21	21"	34-3/4"	24"	57LB

- *One drawer one door style
- *6" height drawer and 24" height door
- *Drawer hardware price is included in BOX price
- *Price of trash can hardware is excluded

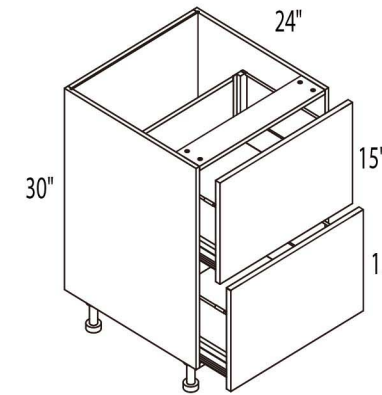
Double Door Standard Base



Item Code	Dimensions			Weight
	W	H	D	
B24	24"	34-3/4"	24"	59LB
B27	27"	34-3/4"	24"	65LB
B30	30"	34-3/4"	24"	70LB
B33	33"	34-3/4"	24"	74LB
B36	36"	34-3/4"	24"	79LB
B42	42"	34-3/4"	24"	97LB

- *One drawer double doors style
- *6" height drawer and 24" height doors
- *Drawer hardware price is included in BOX price

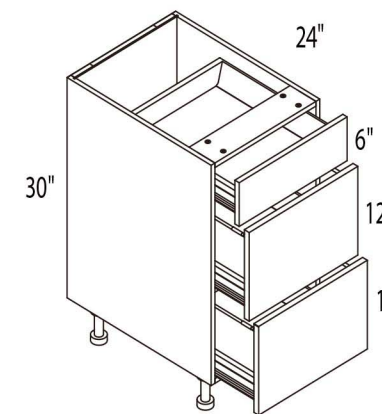
2-Drawer Base Cabinet



Item Code	Dimensions			Weight
	W	H	D	
2DB12	12"	34-3/4"	24"	47LB
2DB15	15"	34-3/4"	24"	52LB
2DB18	18"	34-3/4"	24"	56LB
2DB21	21"	34-3/4"	24"	59LB
2DB24	24"	34-3/4"	24"	61LB
2DB27	27"	34-3/4"	24"	63LB
2DB30	30"	34-3/4"	24"	69LB
2DB33	33"	34-3/4"	24"	81LB
2DB36	36"	34-3/4"	24"	86LB

- *Two equal height drawers style (15")
- *Drawer hardware price is included in BOX price
- *Drawer hardware is separately packed

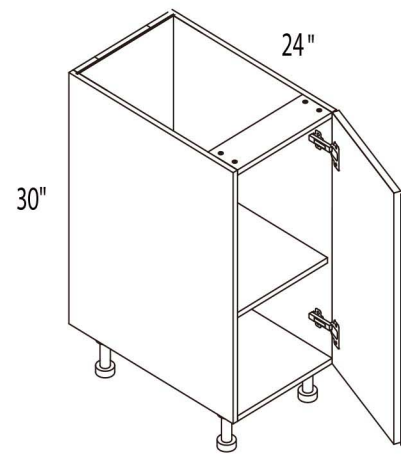
3-Drawer Base Cabinet



Item Code	Dimensions			Weight
	W	H	D	
3DB12	12"	34-3/4"	24"	43LB
3DB15	15"	34-3/4"	24"	48LB
3DB18	18"	34-3/4"	24"	55LB
3DB21	21"	34-3/4"	24"	58LB
3DB24	24"	34-3/4"	24"	66LB
3DB27	27"	34-3/4"	24"	77LB
3DB30	30"	34-3/4"	24"	81LB
3DB33	33"	34-3/4"	24"	83LB
3DB36	36"	34-3/4"	24"	88LB

- *6", 12" & 12" height drawers segmented from top
- *Drawer hardware price is included in BOX price
- *Drawer hardware is separately packed

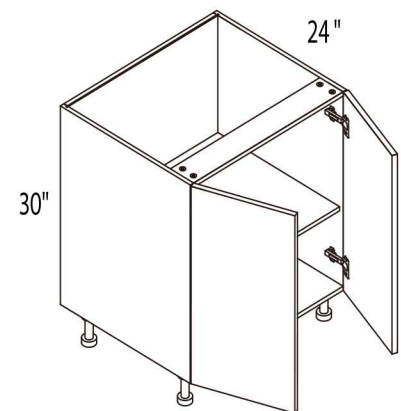
Base Full Single Door Cabinet



Item Code	Dimensions			Weight
	W	H	D	
B09FD	9"	34-3/4"	24"	35LB
B12FD	12"	34-3/4"	24"	40LB
B15FD	15"	34-3/4"	24"	44LB
B18FD	18"	34-3/4"	24"	46LB
B21FD	21"	34-3/4"	24"	48LB

*Full height one door style

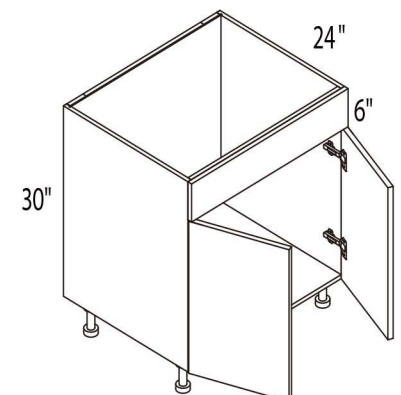
Base Full Double Door Cabinet



Item Code	Dimensions			Weight
	W	H	D	
B24FD	24"	34-3/4"	24"	52LB
B27FD	27"	34-3/4"	24"	54LB
B30FD	30"	34-3/4"	24"	59LB
B33FD	33"	34-3/4"	24"	62LB
B36FD	36"	34-3/4"	24"	66LB
B42FD	42"	34-3/4"	24"	81LB

*Full height double doors style

Sink Base Cabinet

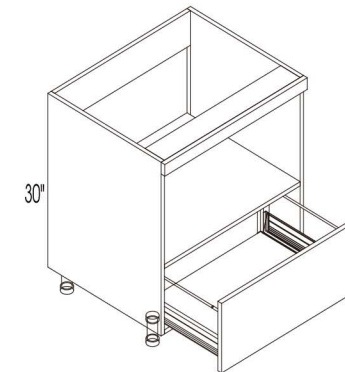


Item Code	Dimensions			Weight
	W	H	D	
SB24	24"	34-3/4"	24"	42LB
SB30	30"	34-3/4"	24"	51LB
SB33	33"	34-3/4"	24"	53LB
SB36	36"	34-3/4"	24"	55LB
SB42	42"	34-3/4"	24"	58LB

*6" height dummy drawer panel on top

*Double doors style

Base Microwave Cabinet

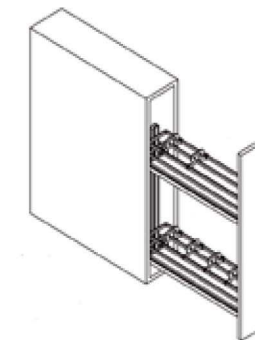


Item Code	Dimensions			Weight
	W	H	D	
BMC24	24"	34-3/4"	24"	73LB
BMC30	30"	34-3/4"	24"	83LB

*Appliance space height=16"

*12" height drawer on the bottom

Base Spice Rack Cabinet

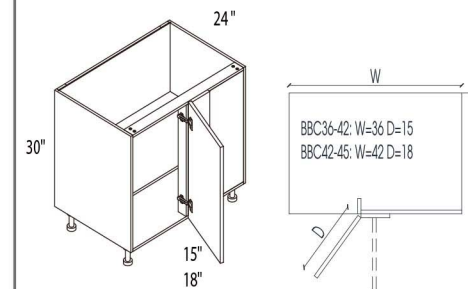


Item Code	Dimensions			Weight
	W	H	D	
BSR09	9"	34-3/4"	24"	59LB

*Hardware is not assembled with box

*Price of hardware is excluded

Base Blind Corner Cabinet



Item Code	Dimensions			Weight
	W	H	D	
BBC36	36"	34-3/4"	24"	74LB
BBC42	42"	34-3/4"	24"	83LB

*36" width cabinet applies 15" width door

*42" width cabinet applies 18" width door

*Cabinet box is L/R reversible

Diagonal Corner Sink Base Cabinet

Item Code	Dimensions			Weight
	W	H	D	
DCSB36	36"	34-3/4"	24"	115LB

*Hinge open angle=45°
*Not soft-closing

Base Easy Reach Cabinet

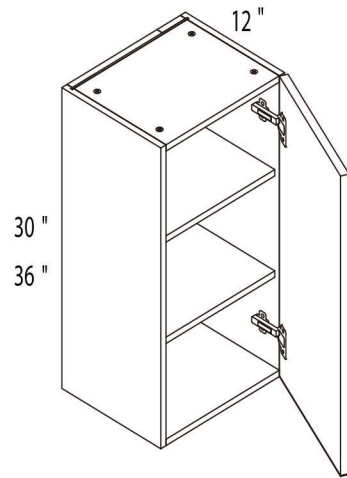
Item Code	Dimensions			Weight
	W	H	D	
BER33	33"	34-3/4"	24"	104LB
BER36	36"	34-3/4"	24"	112LB

*Hinge open angle is 155°(box-door)and 270°(door-door)
*Soft-close not available
*Lazy-susan is NOT included
*Shelf included



Wall Cabinets

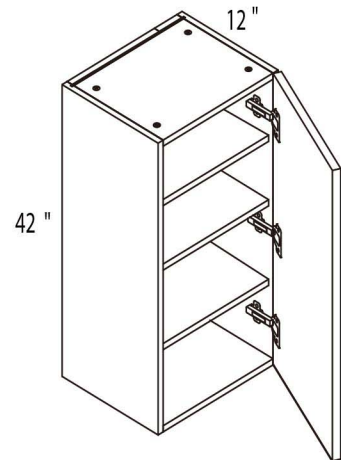
Wall Single Door-30"H&36"H



Item Code	Dimensions			Weight
	W	H	D	
W0930	9"	30"	12"	25LB
W1230	12"	30"	12"	26LB
W1530	15"	30"	12"	29LB
W1830	18"	30"	12"	34LB
W2130	21"	30"	12"	36LB
W0936	9"	36"	12"	28LB
W1236	12"	36"	12"	30LB
W1536	15"	36"	12"	30LB
W1836	18"	36"	12"	36LB
W2136	21"	36"	12"	40LB

*One door style
 *30" and 36" height cabinets have 2 adjustable shelves

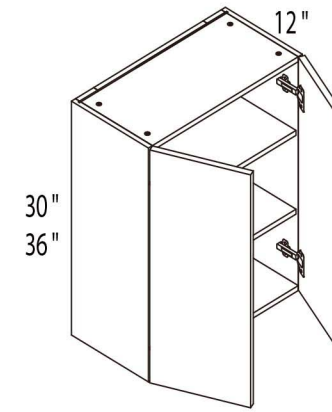
Wall Single Door-42"H



Item Code	Dimensions			Weight
	W	H	D	
W0942	9"	42"	12"	33LB
W1242	12"	42"	12"	36LB
W1542	15"	42"	12"	40LB
W1842	18"	42"	12"	45LB
W2142	21"	42"	12"	48LB

*One door style
 *42" height cabinets have 3 adjustable shelves

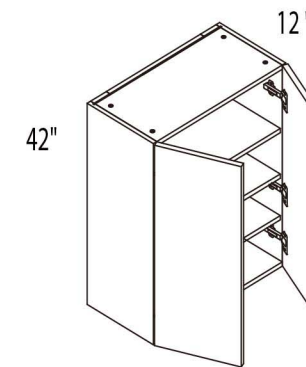
Wall Double Door Cabinet-30"H&36"H



Item Code	Dimensions			Weight
	W	H	D	
W2430	24"	30"	12"	37LB
W2730	27"	30"	12"	39LB
W3030	30"	30"	12"	44LB
W3330	33"	30"	12"	47LB
W3630	36"	30"	12"	51LB
W2436	24"	36"	12"	42LB
W2736	27"	36"	12"	46LB
W3036	30"	36"	12"	49LB
W3336	33"	36"	12"	53LB
W3636	36"	36"	12"	55LB

*Double doors style
 *30" and 36" height cabinets have 2 adjustable shelves

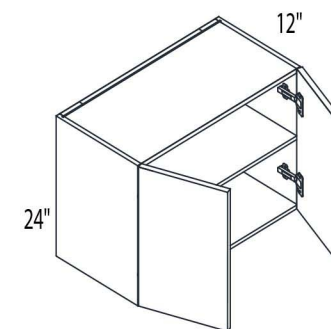
Wall Double Door Cabinet-42"H



Item Code	Dimensions			Weight
	W	H	D	
W2442	24"	42"	12"	48LB
W2742	27"	42"	12"	55LB
W3042	30"	42"	12"	59LB
W3342	33"	42"	12"	64LB
W3642	36"	42"	12"	66LB

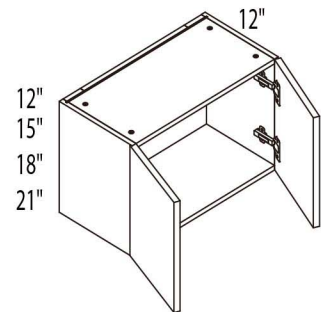
*Double doors style
 *42" height cabinets have 3 adjustable shelves

Wall Double Door Cabinet-24"H



Item Code	Dimensions			Weight
	W	H	D	
W2424	24"	24"	12"	30LB
W3024	30"	24"	12"	37LB
W3324	33"	24"	12"	40LB
W3624	36"	24"	12"	41LB

Wall Cabinet-12"H,15"H,18"H, 21"H



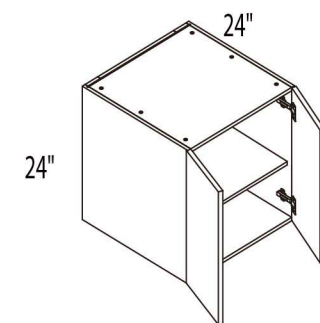
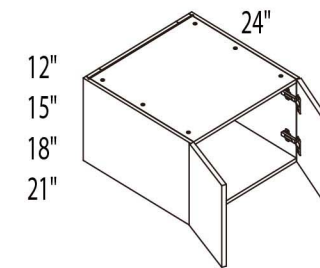
Item Code	Dimensions			Weight
	W	H	D	
W2412	24"	12"	12"	37LB
W2415	24"	15"	12"	40LB
W2418	24"	18"	12"	42LB
W2712	27"	12"	12"	27LB
W2715	27"	15"	12"	27LB
W2718	27"	18"	12"	30LB
W3012	30"	12"	12"	22LB
W3015	30"	15"	12"	25LB
W3018	30"	18"	12"	26LB
W3021	30"	21"	12"	29LB
W3312	33"	12"	12"	23LB
W3315	33"	15"	12"	25LB
W3318	33"	18"	12"	27LB
W3321	33"	21"	12"	32LB
W3612	36"	12"	12"	25LB
W3615	36"	15"	12"	28LB
W3618	36"	18"	12"	31LB
W3621	36"	21"	12"	32LB

*Double door style

*24" height cabinets have 1 shelf

*All other height cabinets have no shelf

Wall Cabinet for fridge

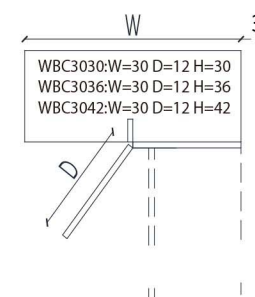
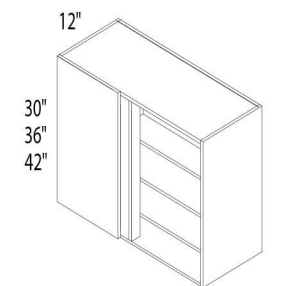


Item Code	Dimensions			Weight
	W	H	D	
W301224	30"	12"	24"	39LB
W301524	30"	15"	24"	43LB
W301824	30"	18"	24"	45LB
W302124	30"	21"	24"	48LB
W302424	30"	24"	24"	65LB
W331224	33"	12"	24"	42LB
W331524	33"	15"	24"	44LB
W331824	33"	18"	24"	47LB
W332124	33"	21"	24"	51LB
W332424	33"	24"	24"	66LB
W361224	36"	12"	24"	43LB
W361524	36"	15"	24"	48LB
W361824	36"	18"	24"	50LB
W362124	36"	21"	24"	53LB
W362424	36"	24"	24"	69LB

*Double doors style

*24" height cabinets have one shelf

Wall Blind Corner Cabinet



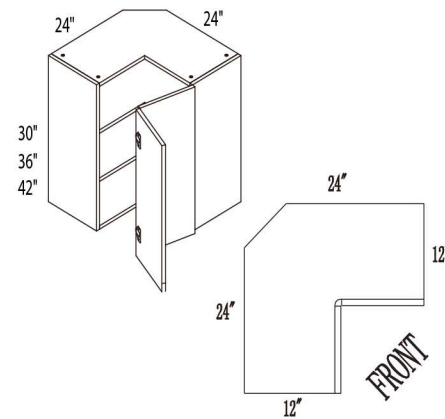
Item Code	Dimensions			Weight
	W	H	D	
WBC3030	30"	30"	12"	57LB
WBC3036	30"	36"	12"	62LB
WBC3042	30"	42"	12"	72LB

*15" width doors and 6" width filler

*Cabinet box is L/R reversible

*30" & 36" height cabinets have 2 shelves, 42" have 3 shelves

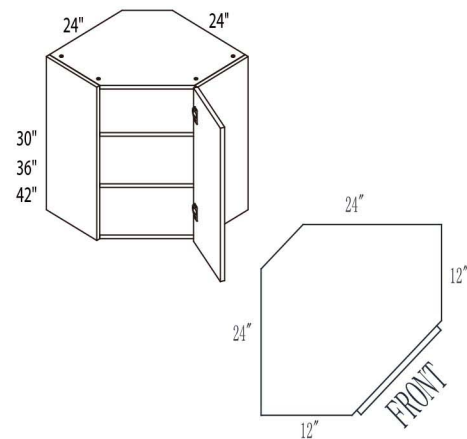
Wall Easy Reach Cabinet



Item Code	Dimensions			Weight
	W	H	D	
WER2430	24"	30"	12"	66LB
WER2436	24"	36"	12"	72LB
WER2442	24"	42"	12"	79LB

- *Two attached doors
- *30" & 36" height cabinets have 2 shelves, 42" have 3 shelves
- *Hinge open angle is 155°(box-door)and 270°(door-door)
- *Soft-close not available

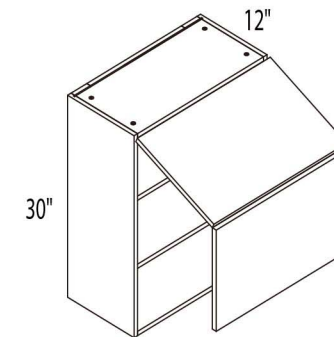
Wall Diagonal Cabinet



Item Code	Dimensions			Weight
	W	H	D	
WDC2412	24"	12"	24"	30LB
WDC2415	24"	15"	24"	34LB
WDC2418	24"	18"	24"	37LB
WDC2430	24"	30"	24"	62LB
WDC2436	24"	36"	24"	68LB
WDC2442	24"	42"	24"	83LB

- *30" & 36" height cabinets have 2 shelves, 42" have 3 shelves
- *Hinge open angle=45°
- *Soft-close not available

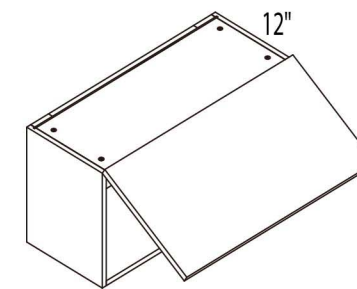
Wall Bi-Folding Cabinet



Item Code	Dimensions			Weight
	W	H	D	
WBF2430	24"	30"	12"	46LB
WBF2730	27"	30"	12"	50LB
WBF3030	30"	30"	12"	54LB
WBF3630	36"	30"	12"	62LB

- *Fold up style, two attached doors divided equally
- *Price of lift-up mechanism is excluded
- *Refer to P41 for hardware info

Wall Single Lift Cabinet



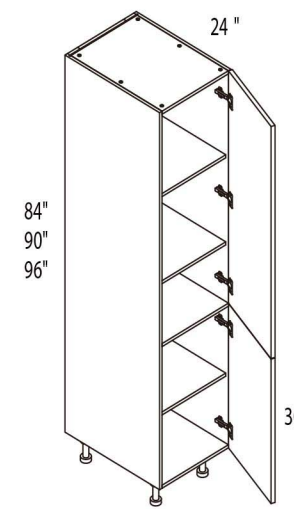
Item Code	Dimensions			Weight
	W	H	D	
WSL2412	24"	12"	12"	23LB
WSL2415	24"	15"	12"	25LB
WSL2418	24"	18"	12"	27LB
WSL3012	30"	12"	12"	26LB
WSL3015	30"	15"	12"	29LB
WSL3018	30"	18"	12"	32LB
WSL3021	30"	21"	12"	35LB
WSL3312	33"	12"	12"	28LB
WSL3315	33"	15"	12"	31LB
WSL3318	33"	18"	12"	34LB
WSL3321	33"	21"	12"	37LB
WSL3612	36"	12"	12"	30LB
WSL3615	36"	15"	12"	33LB
WSL3618	36"	18"	12"	36LB
WSL3621	36"	21"	12"	39LB

- *One door, lift up style
- *15" & 18" height cabinets recommend BLUM STAY LIFT
- *18" & 21" height cabinets recommend BLUM MIDDLE STAY LIFT
- *Price of lift-up hardware is excluded
- *Refer to P41 for hardware info



Tall Cabinets

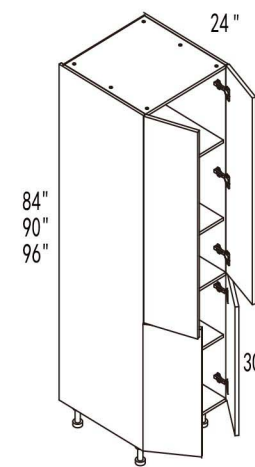
Pantry Cabinet-Single Door



Item Code	Dimensions			Weight
	W	H	D	
PC1584	15"	84"	24"	125LB
PC1590	15"	90"	24"	131LB
PC1596	15"	96"	24"	137LB
PC1884	18"	84"	24"	134LB
PC1890	18"	90"	24"	139LB
PC1896	18"	96"	24"	144LB

*Height of pantry include feet's height
 *Double doors style, lower doors are 30" height

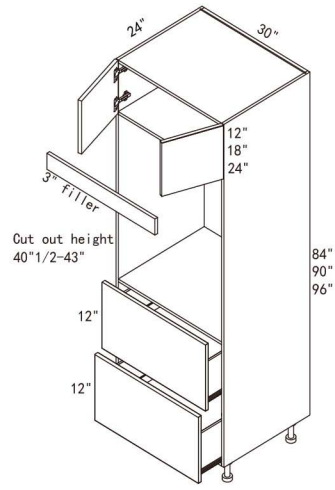
Pantry Cabinet-Double Door



Item Code	Dimensions			Weight
	W	H	D	
PC2484	24"	84"	24"	137LB
PC2490	24"	90"	24"	142LB
PC2496	24"	96"	24"	148LB
PC3084	30"	84"	24"	155LB
PC3090	30"	90"	24"	161LB
PC3096	30"	96"	24"	167LB

*Height of pantry include feet's height
 *Quadruple doors style, lower doors are 30" height

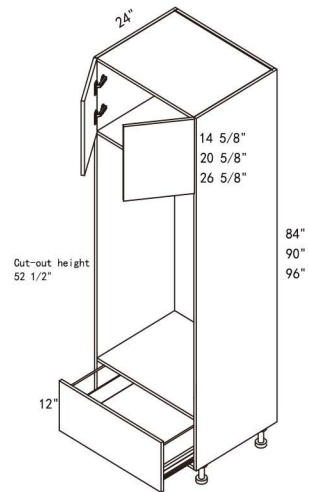
Micro-Oven Tall Cabinet



Item Code	Dimensions			Weight
	W	H	D	
MOC3084	30"	84"	24"	141LB
MOC3090	30"	90"	24"	147LB
MOC3096	30"	96"	24"	164LB

- *Height of cabinet include feet's height
- *Appliance cut-out height is 40 1/2" - 43"
- *Two equal 12" height drawers for MOC
- *No back panel at the back of appliance cut-out area

Double-Oven Tall Cabinet



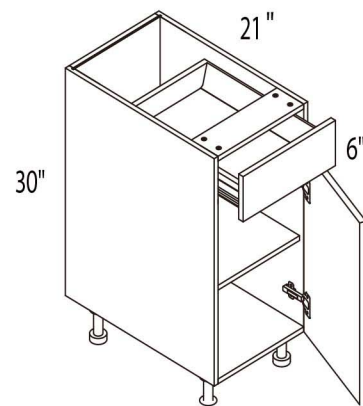
Item Code	Dimensions			Weight
	W	H	D	
DOC3084	30"	84"	24"	129LB
DOC3090	30"	90"	24"	165LB
DOC3096	30"	96"	24"	186LB

- *Height of cabinet include feet's height
- *Appliance cut-out height is 52 1/2"
- *Single 12" height drawer
- *No back panel at the back of appliance cut-out area



Vanity Cabinets

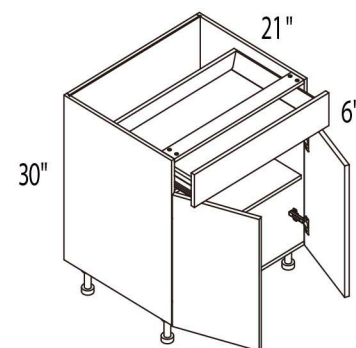
Vanity Single Door Base Cabinet



Item Code	Dimensions			Weight
	W	H	D	
VB12	12"	34-3/4"	21"	41"LB
VB15	15"	34-3/4"	21"	45"LB
VB18	18"	34-3/4"	21"	49"LB
VB21	21"	34-3/4"	21"	53"LB

- *One drawer one door style
- *6" height drawer and 24" height door
- *Drawer hardware price is included in BOX price
- *Alternative by corresponding kitchen cabinet doors

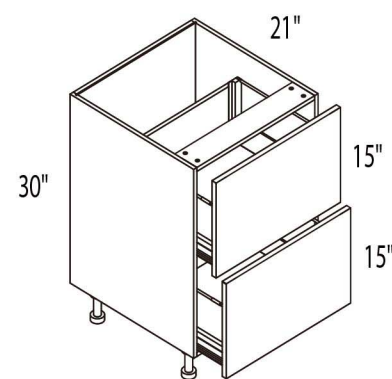
Vanity Double Door Base Cabinet



Item Code	Dimensions			Weight
	W	H	D	
VB24	24"	34-3/4"	21"	57"LB
VB27	27"	34-3/4"	21"	63"LB
VB30	30"	34-3/4"	21"	68"LB
VB33	33"	34-3/4"	21"	73"LB
VB36	36"	34-3/4"	21"	76"LB

- *One drawer double doors style
- *6" height drawer and 24" height doors
- *Drawer hardware price is included in BOX price
- *Alternative by corresponding kitchen cabinet doors

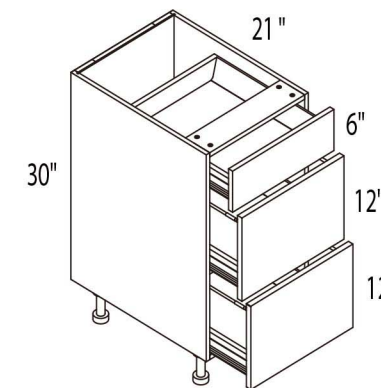
Vanity 2-Drawer Base Cabinet



Item Code	Dimensions			Weight
	W	H	D	
V2DB12	12"	34-3/4"	21"	40"LB
V2DB15	15"	34-3/4"	21"	45"LB
V2DB18	18"	34-3/4"	21"	49"LB
V2DB21	21"	34-3/4"	21"	54"LB
V2DB24	24"	34-3/4"	21"	58"LB

- *Two equal height drawers style (15")
- *Drawer hardware price is included in BOX price
- *Drawer hardware is separately packed
- *Alternative by corresponding kitchen cabinet doors

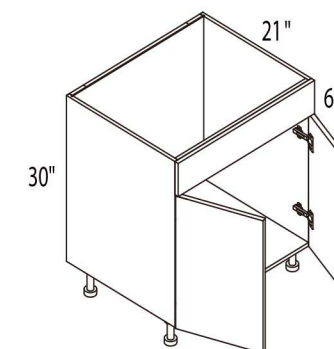
Vanity 3-Drawer Base Cabinet



Item Code	Dimensions			Weight
	W	H	D	
V3DB12	12"	34-3/4"	21"	43LB
V3DB15	15"	34-3/4"	21"	46LB
V3DB18	18"	34-3/4"	21"	51LB
V3DB21	21"	34-3/4"	21"	59LB
V3DB24	24"	34-3/4"	21"	65LB

- *6", 12" & 12" height drawers segmented from top
- *Drawer hardware price is included in BOX price
- *Drawer hardware is separately packed
- *Alternative by corresponding kitchen cabinet doors

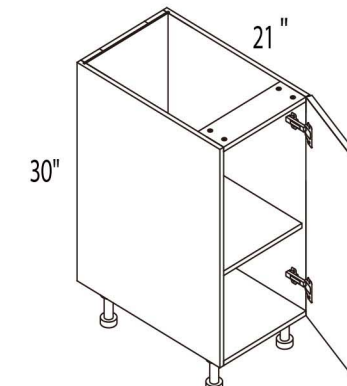
Vanity Sink Base Cabinet



Item Code	Dimensions			Weight
	W	H	D	
VSB24	24"	34-3/4"	21"	42LB
VSB27	27"	34-3/4"	21"	45LB
VSB30	30"	34-3/4"	21"	47LB
VSB33	33"	34-3/4"	21"	49LB
VSB36	36"	34-3/4"	21"	51LB

- *6" height dummy drawer panel on top
- *Double doors style (except VSB24 single door)
- *Alternative by corresponding kitchen cabinet doors

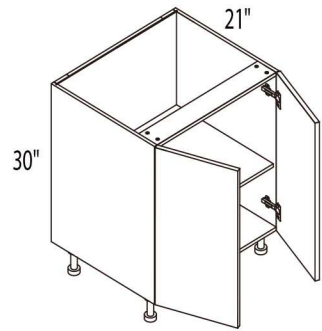
Vanity Full Single Door Base Cabinet



Item Code	Dimensions			Weight
	W	H	D	
VB15FD	15"	34-3/4"	21"	41LB
VB18FD	18"	34-3/4"	21"	45LB
VB21FD	21"	34-3/4"	21"	47LB

- *Full height one door style
- *Alternative by corresponding kitchen cabinet doors

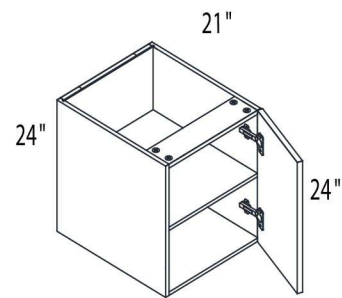
Vanity Full Double Door Base Cabinet



Item Code	Dimensions			Weight
	W	H	D	
VB24FD	24"	34-3/4"	21"	50LB
VB27FD	27"	34-3/4"	21"	53LB
VB30FD	30"	34-3/4"	21"	57LB
VB33FD	33"	34-3/4"	21"	60LB
VB36FD	36"	34-3/4"	21"	63LB

*Full height double doors style
*Alternative by corresponding kitchen cabinet doors

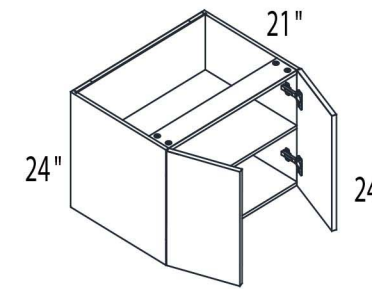
Floating Vanity Base Cabinet-Single Door



Item Code	Dimensions			Weight
	W	H	D	
FVB15	15"	24"	21"	39LB
FVB18	18"	24"	21"	42LB

*Floating style
*One full height door

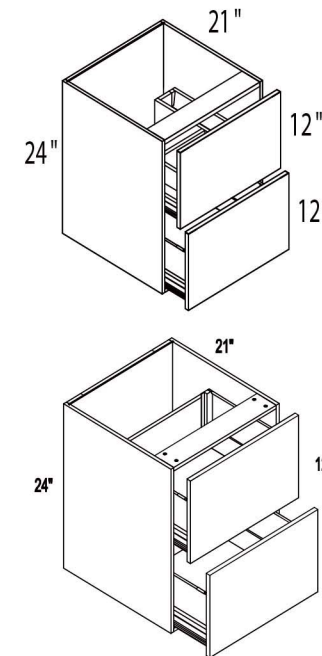
Floating Vanity Base Cabinet-Double Door



Item Code	Dimensions			Weight
	W	H	D	
FVB30	30"	24"	21"	58LB
FVB36	36"	24"	21"	64LB

*Floating style
*Two full height doors

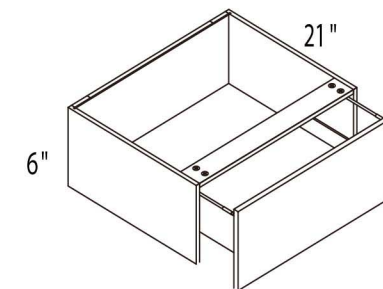
Floating Vanity Drawer Base Cabinet



Item Code	Dimensions			Weight
	W	H	D	
FV24UU	24"	24"	21"	55LB
FV27UU	27"	24"	21"	55LB
FV30UU	30"	24"	21"	63LB
FV36UU	36"	24"	21"	72LB
FV24DD	24"	24"	21"	55LB
FV27DD	27"	24"	21"	55LB
FV30DD	30"	24"	21"	63LB
FV36DD	36"	24"	21"	72LB

*Two equal 12" height drawers for UU, with N drawers
*Two equal 12" height drawers for DD, with H drawers

Vanity Knee Drawer



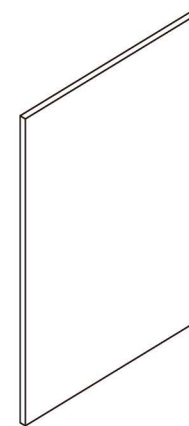
Item Code	Dimensions			Weight
	W	H	D	
VKD240621	24"	6"	21"	28LB
VKD300621	30"	6"	21"	33LB

*Single drawer style of 6" height
*Drawer hardware price is included in box price
*Drawer hardware is separately packed



Accessories

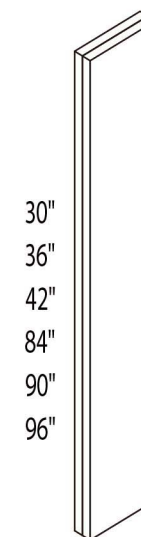
Match End Panel



Item Code	Dimensions		PB Weight	MDF Weight
	W	H		
MBEP21	21-3/4"	34-3/4"	15LB	17LB
MBEP24	24-3/4"	34-3/4"	17LB	19LB
MBEP26	26-3/4"	34-3/4"	19LB	21LB
MWEP1230	12-3/4"	30"	8LB	9LB
MWEP1236	12-3/4"	36"	9LB	10LB
MWEP1242	12-3/4"	42"	11LB	12LB
MWEP1248	12-3/4"	48"	13LB	14LB
REF9624	24"	95-3/4"	46LB	50LB
REF9636	36"	95-3/4"	64LB	68LB

*Same material as door panel, 3/4" thickness
 *Actual size may differ than item code indicates

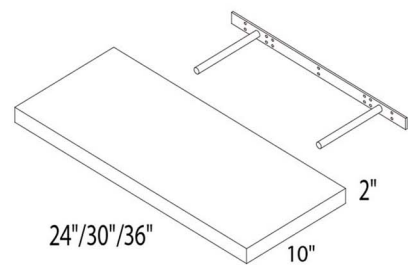
Filler



Item Code	Dimensions		PB Weight	MDF Weight
	W	H		
WF330	3"	30"	22LB	25LB
WF336	3"	36"	28LB	31LB
WF342	3"	42"	32LB	35LB
TF396	3"	96"	69LB	76LB
WF630	6"	30"	42LB	46LB
WF636	6"	36"	51LB	56LB
WF642	6"	42"	60LB	66LB
TF696	6"	96"	72LB	79LB

*Same material as door panel, 3/4" or thickness
 *One extra panel is provided per filler

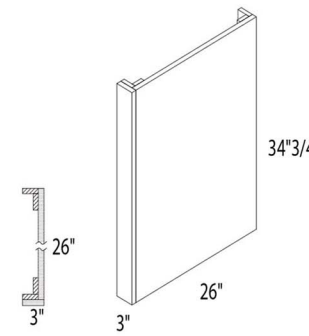
Floating Shelf-SO&SW



Item Code	Dimensions			Weight
	W	H	D	
FS24	24"	2"	10"	19LB
FS30	30"	2"	10"	24LB
FS36	36"	2"	10"	29LB

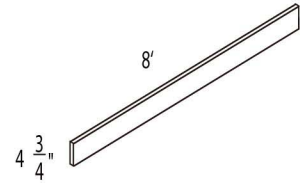
*Only SO & SW available

Dishwasher End Panel



Item Code	Dimensions			Weight
	W	H	D	
DWR	3"	34-3/4"	25-1/2"	50LB

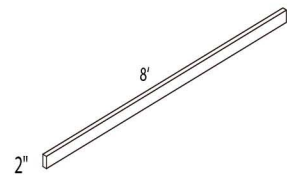
Toe Kick



Item Code	Dimensions		Weight
	W	H	
TK8	4-3/4"	96"	58LB

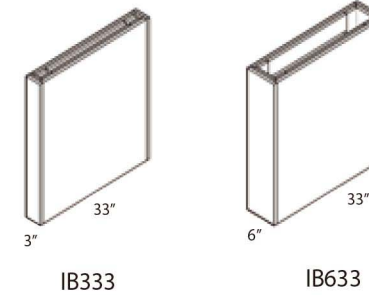
*TK8 is as door front material

Light Rail



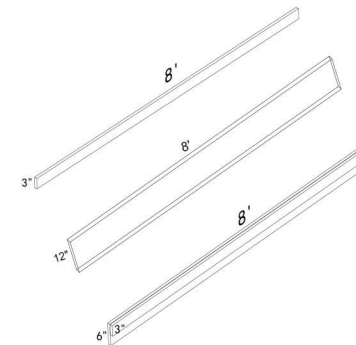
Item Code	Dimensions		Weight
	W	H	
LR8	96"	2"	57LB

Island Box



Item Code	Dimensions			Weight
	W	H	D	
IB333	3"	34.75"	33"	51LB
IB633	6"	34.75"	33"	61LB

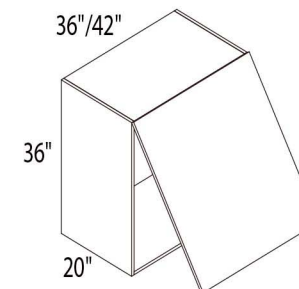
Straight Molding



Item Code	Dimensions		PB Weight	MDF Weight
	W	H		
SM3	96"	3"	5LB	6LB
SM12	96"	12"	20LB	24LB
DSM6	96"	3"+6"	15LB	18LB

*Same material as door panel, 3/4" thickness
 *One extra panel is provided per Straight molding

Hood Cover



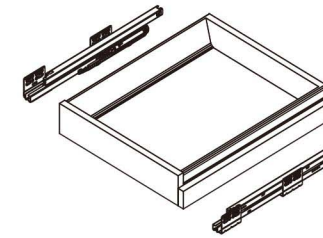
Item Code	Dimensions			Weight
	W	H	D	
HC36	36"	36"	20"	58LB
HC42	42"	36"	20"	65LB

*Same material as door panel, 3/4" thickness
 *All colored panel, no side panel needed



Storage Solution

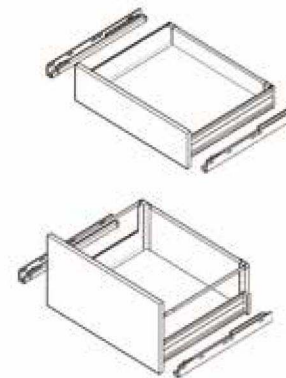
Roll Out Tray



Item Code	Dimensions	Weight
	W	
ROT15	15"	18LB
ROT18	18"	19LB
ROT21	21"	20LB
ROT24	24"	22LB
ROT27	27"	23LB
ROT30	30"	25LB
ROT33	33"	27LB
ROT36	36"	28LB

*Pre-assembled drawer box
 *Item number indicates applicable cabinet width
 *Hardware included

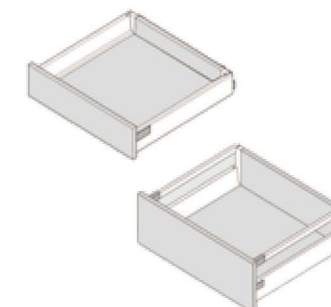
DTC Drawer Hardware



Item Code	Weight
DTC N DRAWER	53LB
DTC H DRAWER	57LB

*Standard cabinet MSRP include the drawer price (if there is any)
 *Only the hardware

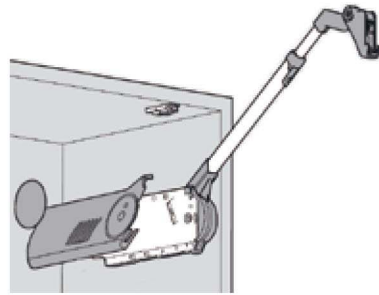
Tip Open Blum Drawer Hardware



Item Code	Weight
BLUM M DRAWER	53LB
BLUM D DRAWER	57LB

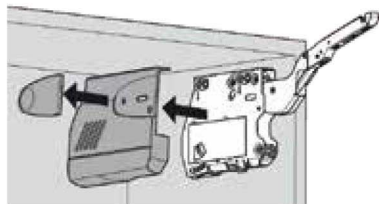
*Only the hardware

Blum® Fold Lift

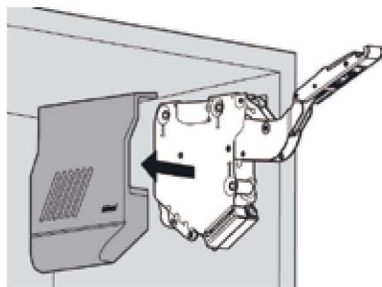


Item Code	Weight
BLUM FOLD LIFT	49LB

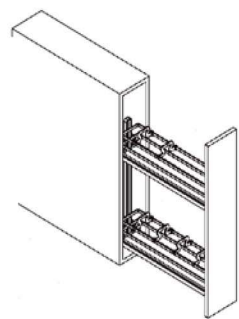
Blum® Lift Hinges



Item Code	Weight
BLUM STAY LIFT	15LB
BLUM MIDDLE STAY LIFT	25LB

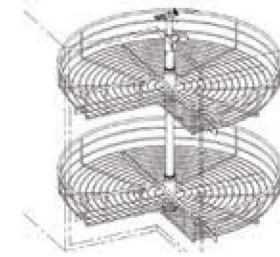


BSR09N Pull-out



Item Code	Weight
BSR09N-PULL OUT	16LB

Lazy Susan Tray



Item Code	Weight
BLS33-TRAY	22LB
BLS36-TRAY	23LB

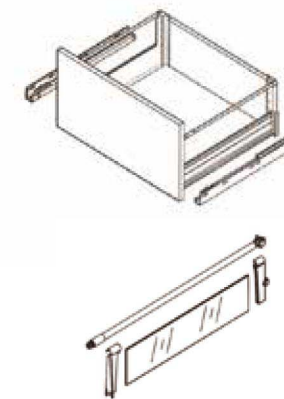
Trash Can



Item Code	Weight
BTC18 TRASH CAN	15LB

*Applied with 18" width base cabinets

Glass Side Drawer



Item Code	Weight
DTC H DRAWER GLASS SIDE PANEL	3.5LB

*Contains a set of glass side panel (2 pieces)